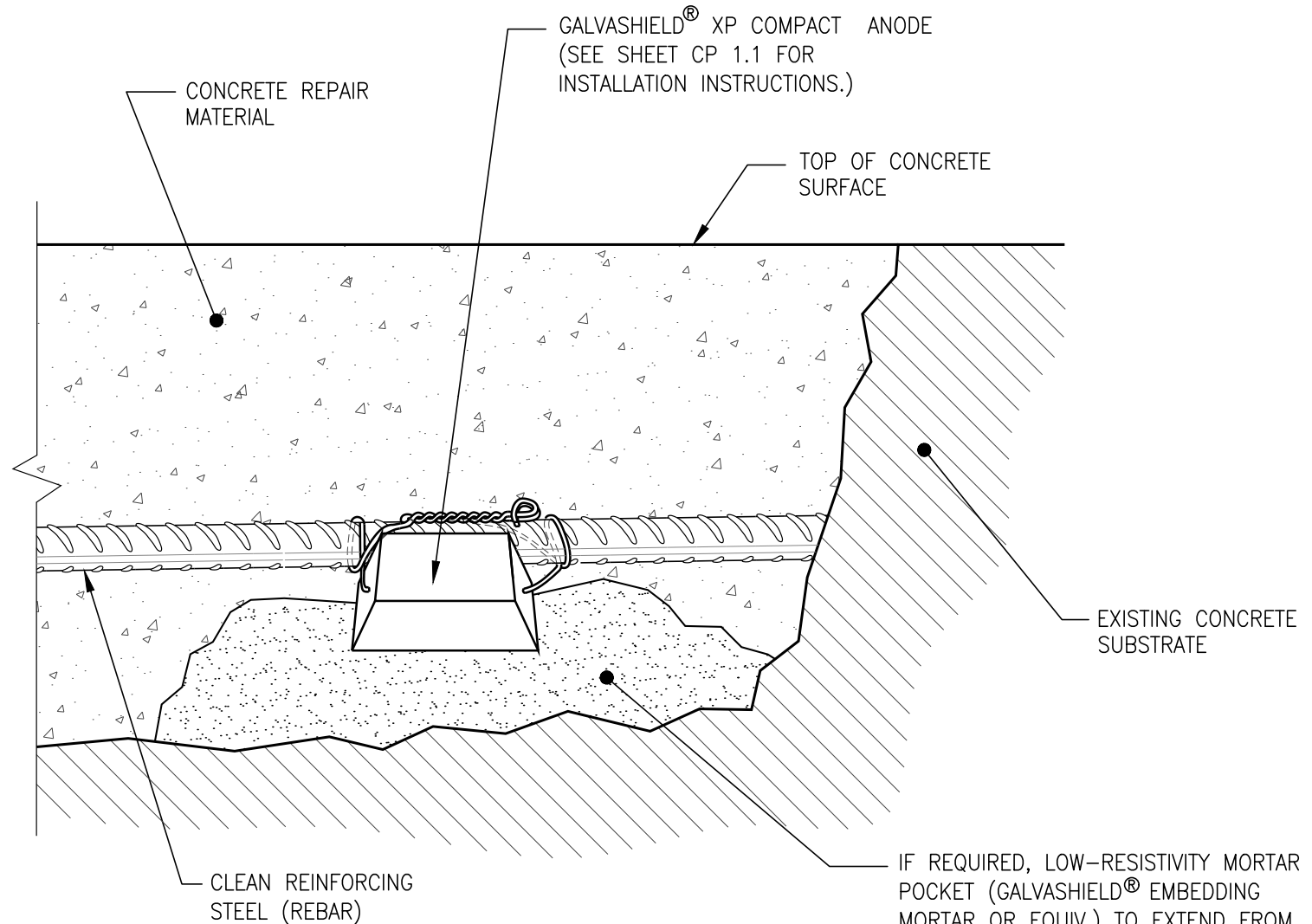


**GALVASHIELD® XP COMPACT ANODES
GENERAL NOTES**

1. REMOVE DAMAGED CONCRETE AND CLEAN STEEL AS PER STANDARD ICRI REPAIR METHODS.
2. ENSURE EXPOSED REINFORCING STEEL IS SECURELY FASTENED WITH TIE WIRE TO PROVIDE GOOD ELECTRICAL CONTINUITY.
3. ATTACH GALVASHIELD® XP COMPACT ANODES TO CLEAN STEEL AT AN EVEN SPACING WITHIN THE REPAIR AREA. PLACE THE ANODE AS CLOSE AS POSSIBLE TO THE INTERFACE BETWEEN THE REPAIR AND THE PARENT CONCRETE (WITHIN 4 INCHES (100MM) WHILE STILL ALLOWING THE REPAIR MATERIAL TO ENCASE THE ANODE.
4. GALVASHIELD® XP COMPACT ANODES ARE TO BE INSTALLED PER THE DESIGN DRAWINGS AND SPECIFICATIONS ALONG THE PERIMETER OF THE REPAIR AREA AFTER ALL CHLORIDE CONTAMINATED CONCRETE HAS BEEN REMOVED. ADDITIONALLY, IF ANY CHLORIDE CONTAMINATED CONCRETE REMAINS WITHIN OR BELOW THE REPAIR AREA AND IS IN CONTACT WITH ANY LAYER OF REINFORCING STEEL THEN IT MAY BE NECESSARY TO PLACE GALVASHIELD® XP COMPACT ANODES IN A GRID PATTERN WITHIN THE INTERIOR OF THE REPAIR AREA.
5. TEST ELECTRICAL CONTINUITY OF THE REINFORCING STEEL BEFORE INSTALLATION AND REPAIR AS NECESSARY. TEST ELECTRICAL CONTINUITY OF ANODE CONNECTION TO REINFORCING STEEL AFTER INSTALLATION. A DC VOLTAGE MEASUREMENT OF $\leq 1\text{mV}$ CONFIRMS GOOD CONTINUITY.
6. POUR BACK REPAIR AREA WITH COMPATIBLE REPAIR MATERIAL AS PER PROJECT SPECIFICATIONS.



**1 SECTION VIEW
GALVANIC ANODE INSTALLATION DETAIL**
SCALE: N.T.S.

REQUIRED WHERE CONCRETE REPAIR MATERIAL HAS A HIGHER SATURATED BULK RESISTIVITY THAN 50,000 OHM-CM.

DRAWING REVISIONS

#	DATE	BY	DESCRIPTION



**GALVASHIELD® ANODES
CORROSION PROTECTION**

**GALVASHIELD® XP COMPACT
SINGLE WIRE CONNECTION
GENERAL NOTES**

VECTOR CORROSION TECHNOLOGIES
8413 Laurel Fair Circle
Ste 200A
Tampa, FL 33610
PH: 813-830-7566
VECTOR-CORROSION.COM

PROJECT NO.

DRAWING NO.

CP-1.0

DRAWING REVISIONS

#	DATE	BY	DESCRIPTION



**GALVASHIELD® ANODES
CORROSION PROTECTION**

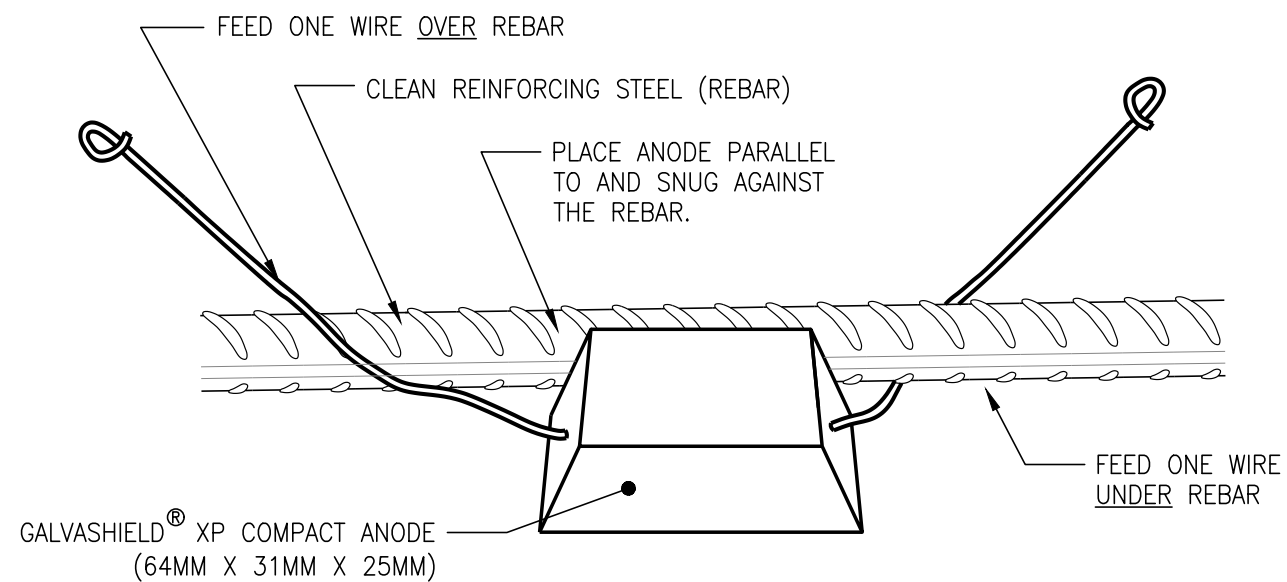
**GALVASHIELD® XP COMPACT
SINGLE WIRE CONNECTION
INSTALLATION STEPS**

VECTOR CORROSION TECHNOLOGIES
8413 Laurel Fair Circle
Ste 200A
Tampa, FL 33610
PH: 813-830-7566
VECTOR-CORROSION.COM

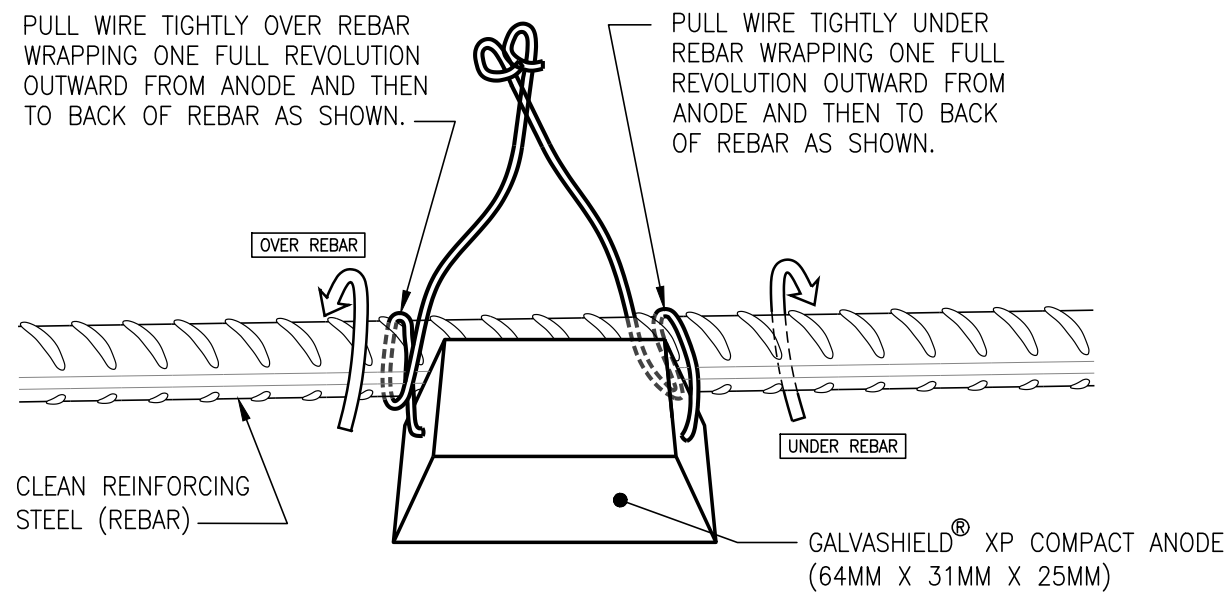
PROJECT NO.

DRAWING NO.

CP-1.1

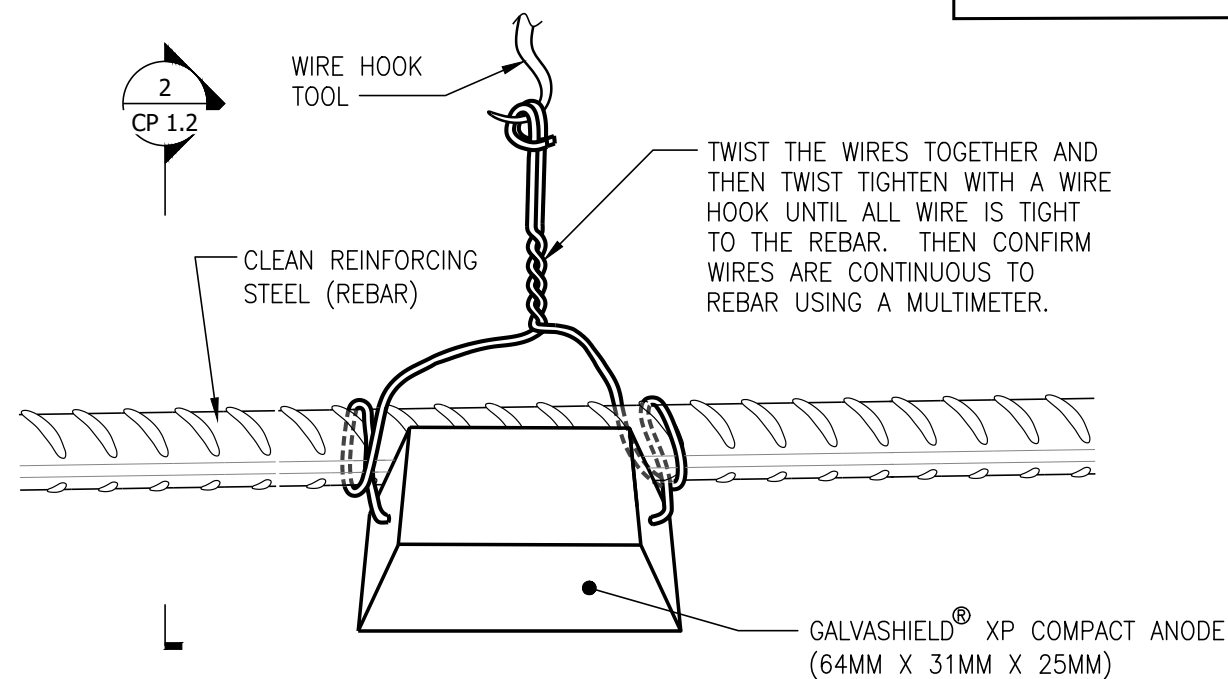


1 INSTALLATION STEP #1
SCALE: N.T.S.

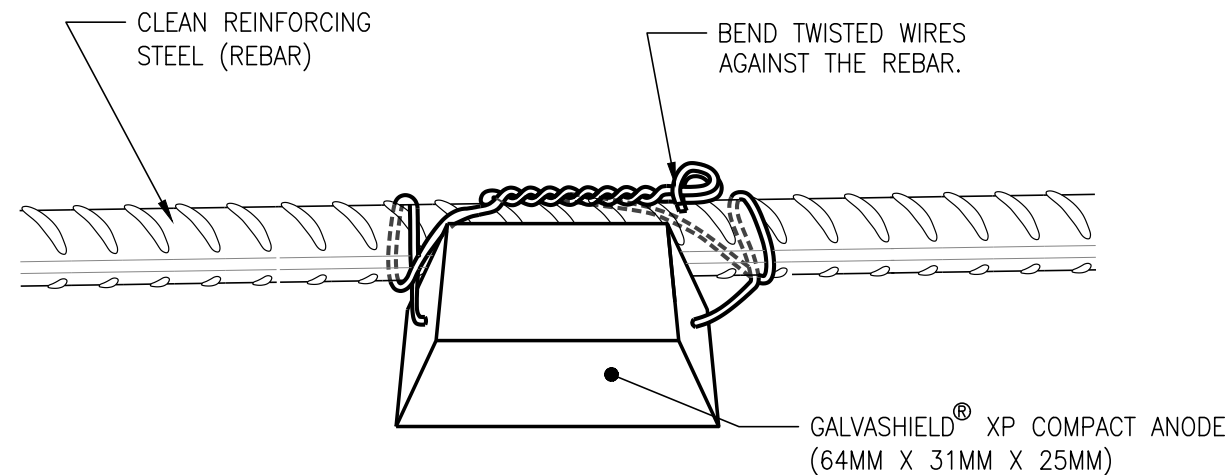


2 INSTALLATION STEP #2
SCALE: N.T.S.

ANODE ORIENTATION NOTE: ANODES MAY BE INSTALLED AS SHOWN WITH THE WIDER SIDE ON THE BOTTOM, OR MAY BE ROTATED 180-DEGREES TO HAVE THE WIDER SIDE AT THE TOP.



3 INSTALLATION STEP #3
SCALE: N.T.S.



4 INSTALLATION STEP #4
SCALE: N.T.S.

DRAWING REVISIONS

#	DATE	BY	DESCRIPTION



**GALVASHIELD® ANODES
CORROSION PROTECTION**

**GALVASHIELD® XP COMPACT
SINGLE WIRE CONNECTION
SECTIONS & DETAILS**

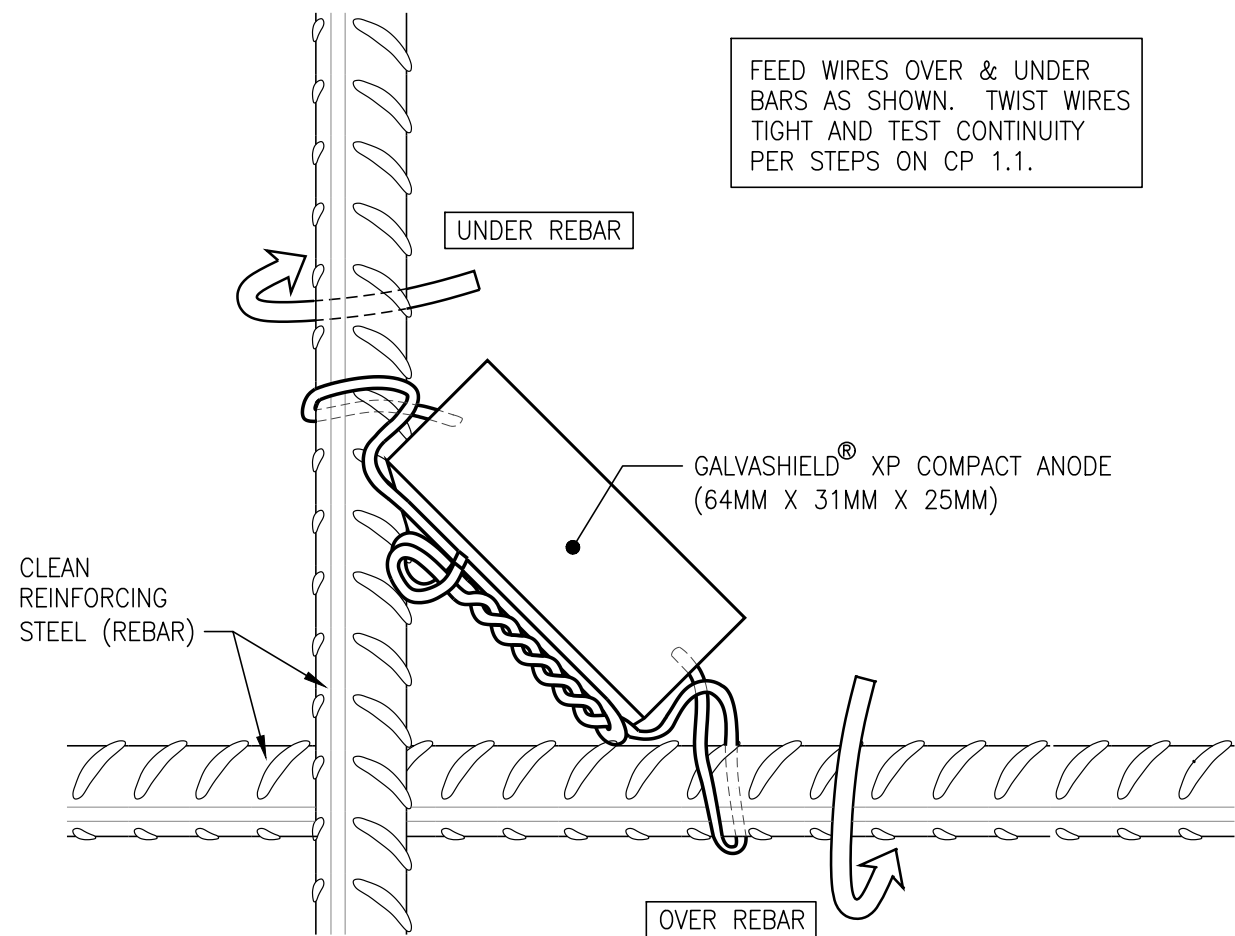
VECTOR CORROSION
TECHNOLOGIES
8413 Laurel Fair Circle
Ste 200A
Tampa, FL 33610
PH: 813-830-7566
VECTOR-CORROSION.COM

PROJECT NO.

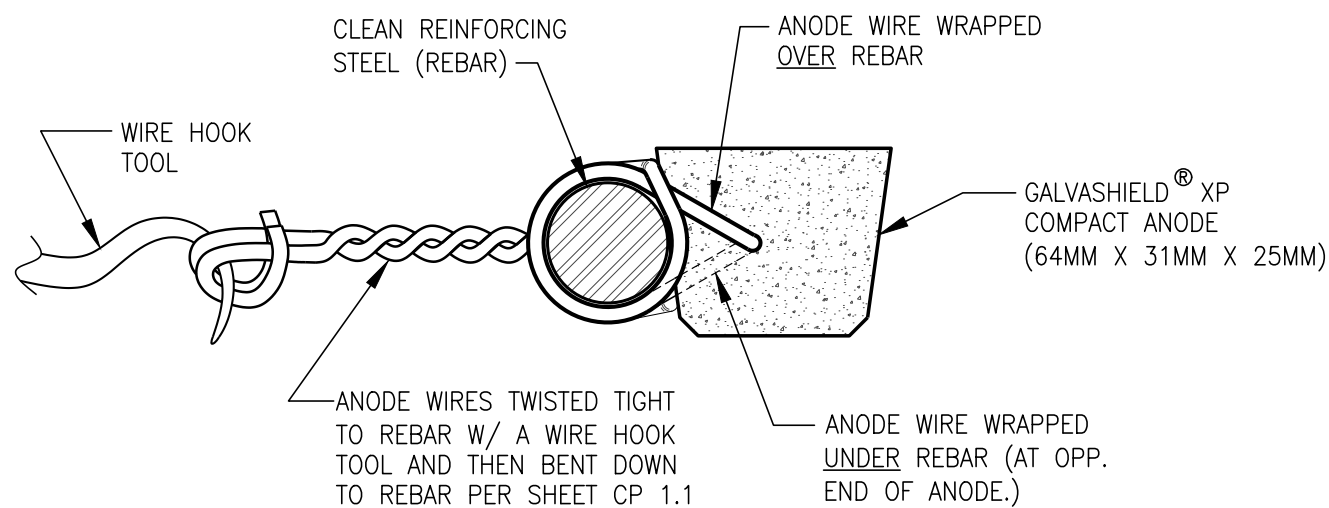
DRAWING NO.

CP-1.2

FEED WIRES OVER & UNDER BARS AS SHOWN. TWIST WIRES TIGHT AND TEST CONTINUITY PER STEPS ON CP 1.1.



1 ALTERNATE INSTALLATION AT REBAR INTERSECTION
SCALE: N.T.S.



2 SECTION AT ANODE
SCALE: N.T.S.

ANODE ORIENTATION NOTE: ANODES MAY BE INSTALLED AS SHOWN WITH THE WIDER SIDE ON TOP, OR MAY BE ROTATED 180-DEGREES TO HAVE THE WIDER SIDE AT THE BOTTOM.