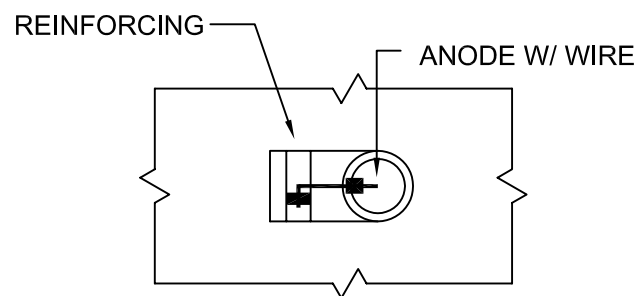
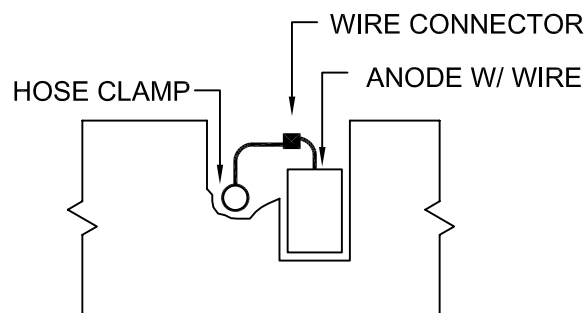


TYPICAL REINFORCING CONNECTION IN DRILLED HOLE

N.T.S.



TYPICAL REINFORCING CONNECTION IN CONCRETE EXCAVATION

N.T.S.

1. Drill or chip hole for reinforcing connection.

2. Drill hole for anode placement. Refer to Galvashield CC data sheet for maximum spacing guidelines.

3. Make sawcut for wire connection as required.

4. Connect wire lead to reinforcing steel with hose clamp or expansion Galvashield CC rebar connection kit.

5. Ensure all connections of dissimilar metals are coated with silicone or epoxy to prevent corrosion.

6. Install anode and grout in holes and sawcut.

GALVASHIELD CC

INSTALLATION
DETAILS

Drawn: J.W.H.

Date: Dec 2000

SHEET 1 OF 1