

DRAWING REVISIONS

#	DATE	BY	DESCRIPTION



**GALVASHIELD® ANODES
CORROSION PROTECTION**

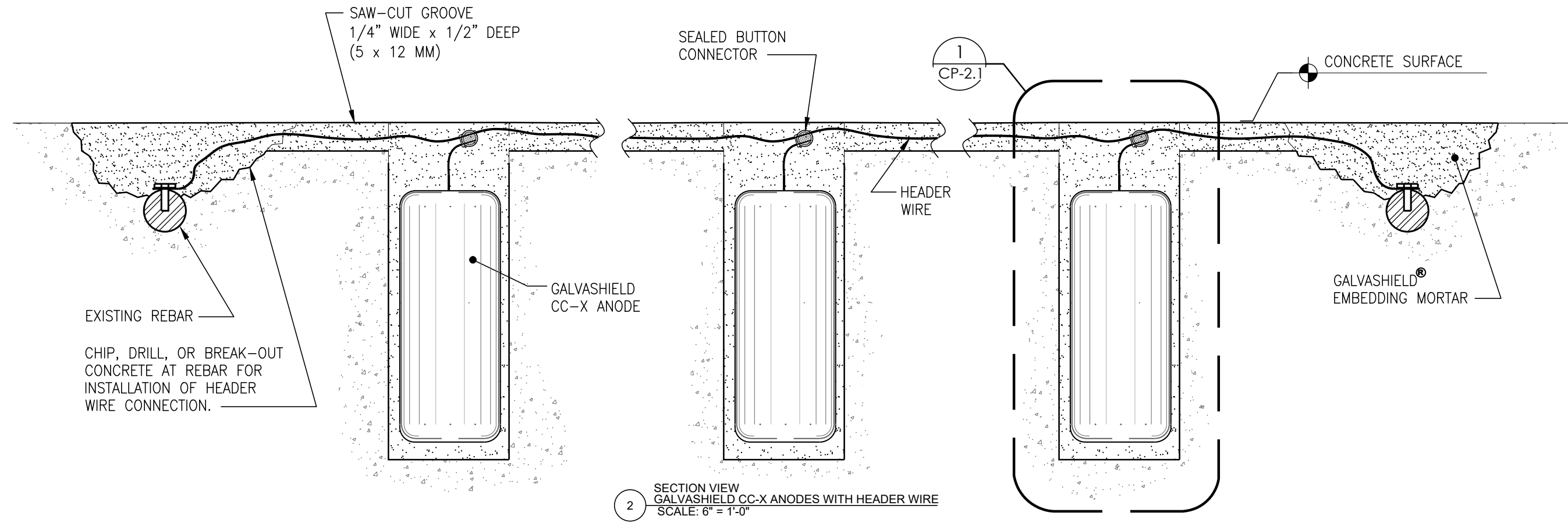
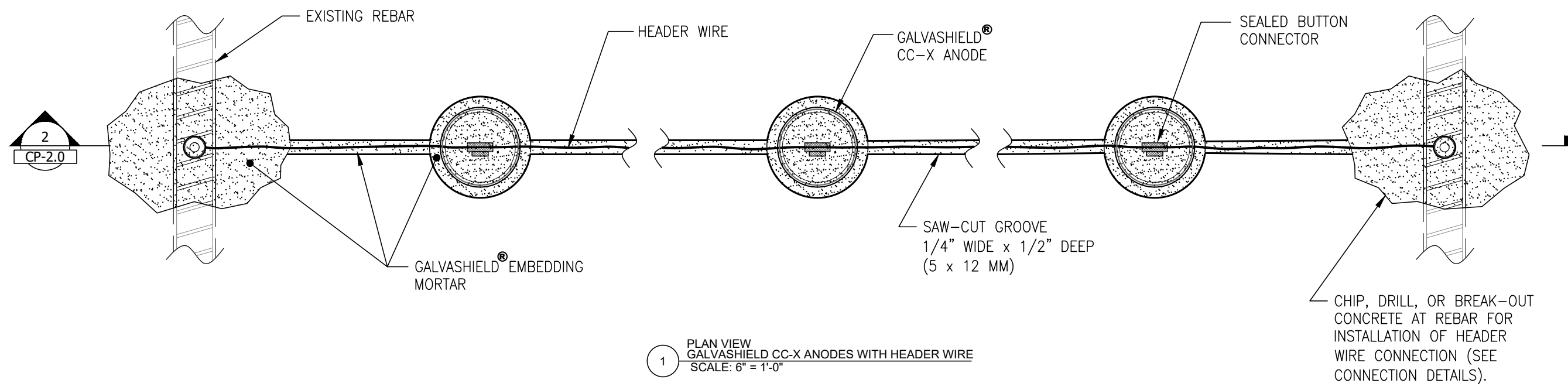
**GALVASHIELD® CC-X
ANODE INSTALLATION
WITH HEADER WIRE**

VECTOR CORROSION
TECHNOLOGIES
8413 Laurel Fair Circle
Ste 200A
Tampa, FL 33610
PH: 813-830-7566
VECTOR-CORROSION.COM

PROJECT NO.

DRAWING NO.

CP-2.0



DRAWING REVISIONS

#	DATE	BY	DESCRIPTION
0			



**GALVASHIELD® ANODES
CORROSION PROTECTION**

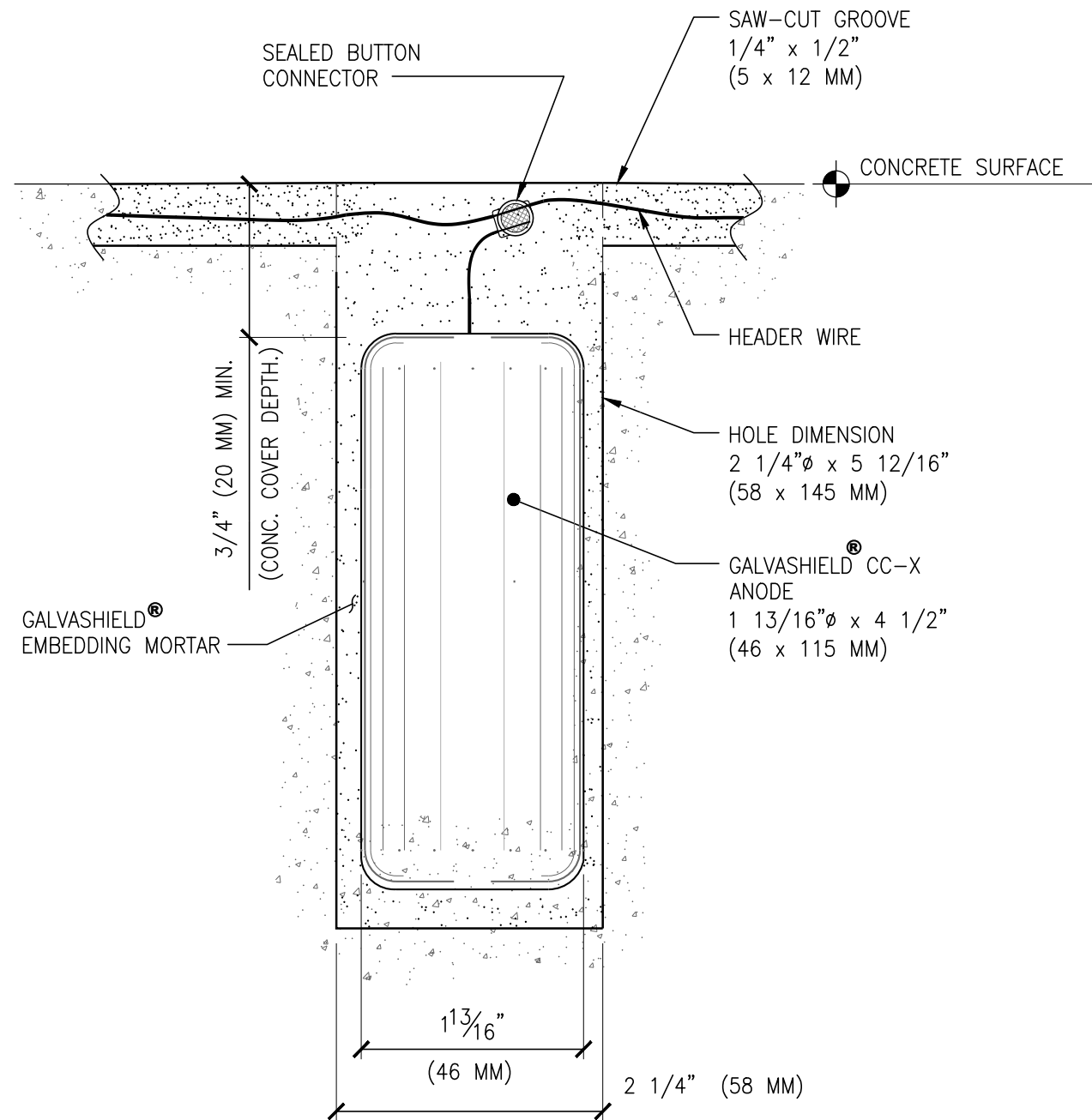
**GALVASHIELD CC-X
ANODE INSTALLATION
WITH HEADER WIRE**

VECTOR CORROSION
TECHNOLOGIES
8413 Laurel Fair Circle
Ste 200A
Tampa, FL 33610
PH: 813-830-7566
VECTOR-CORROSION.COM

PROJECT NO.

DRAWING NO.

CP-2.1



1 SECTION VIEW
GALVASHIELD CC-X ANODE - INSTALLATION WITH HEADER WIRE
SCALE: 9" = 1'-0"

DRAWING REVISIONS

#	DATE	BY	DESCRIPTION
0			



**GALVASHIELD® ANODES
CORROSION PROTECTION**

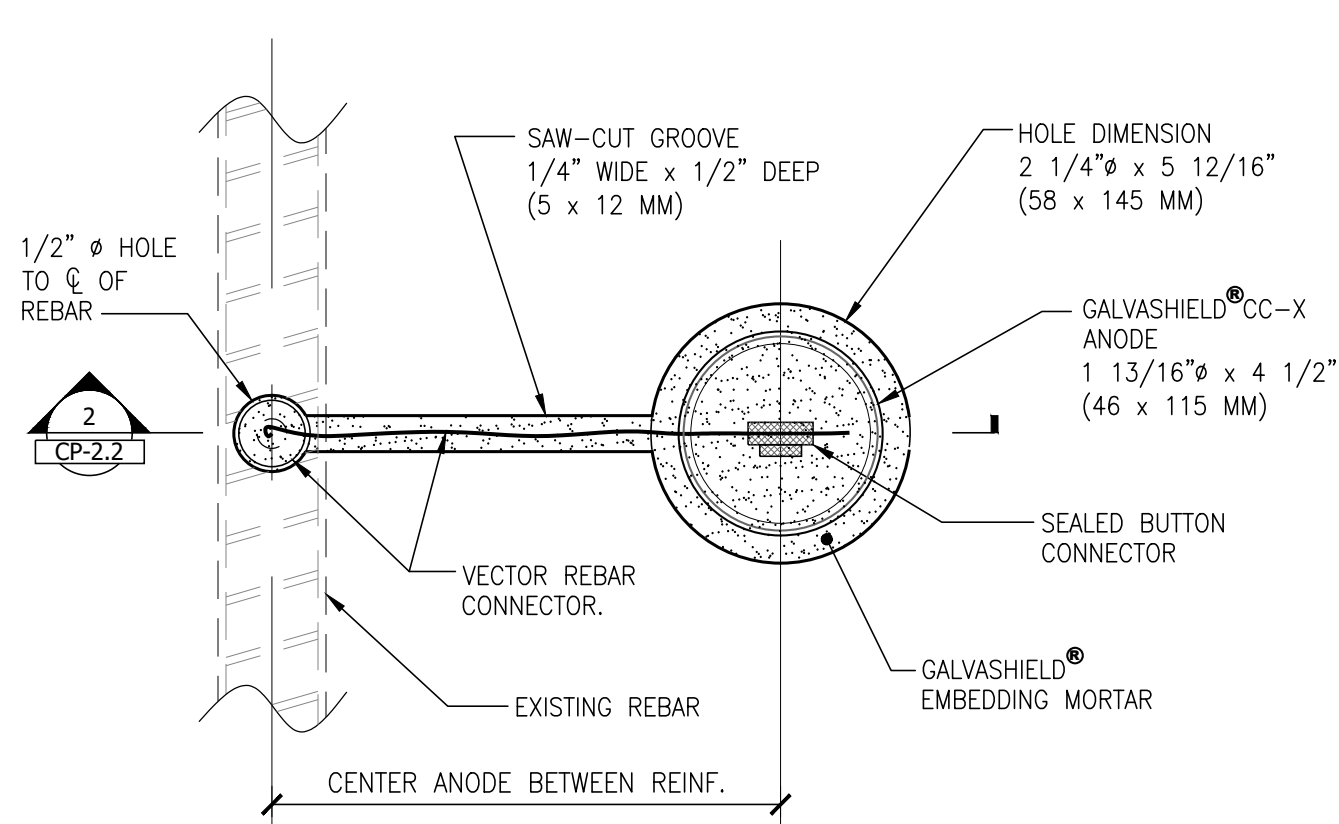
**GALVASHIELD® CC-X
INSTALLATION WITH
DIRECT CONNECTION**

VECTOR CORROSION
TECHNOLOGIES
8413 Laurel Fair Circle
Ste 200A
Tampa, FL 33610
PH: 813-830-7566
VECTOR-CORROSION.COM

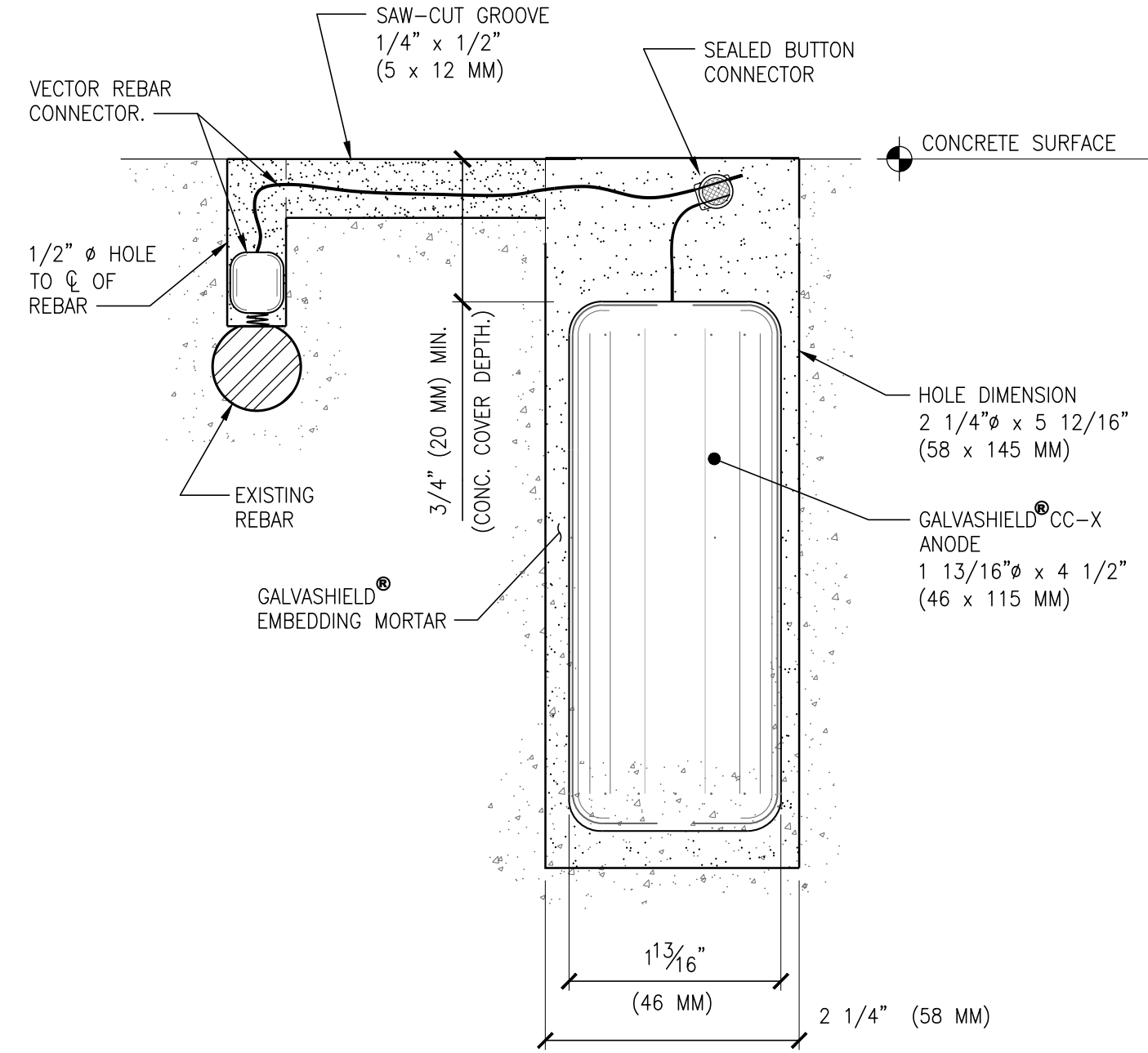
PROJECT NO.

DRAWING NO.

CP-2.2



1 PLAN VIEW
GALVASHIELD CC-X ANODE - DIRECT CONNECTION
SCALE: 9" = 1'-0"



2 SECTION VIEW
GALVASHIELD CC-X ANODE - DIRECT CONNECTION
SCALE: 9" = 1'-0"