

DRAWING REVISIONS			
#	DATE	BY	DESCRIPTION
1	6/12/23	S.Y.	



**GALVASHIELD® ANODES  
CORROSION PROTECTION**

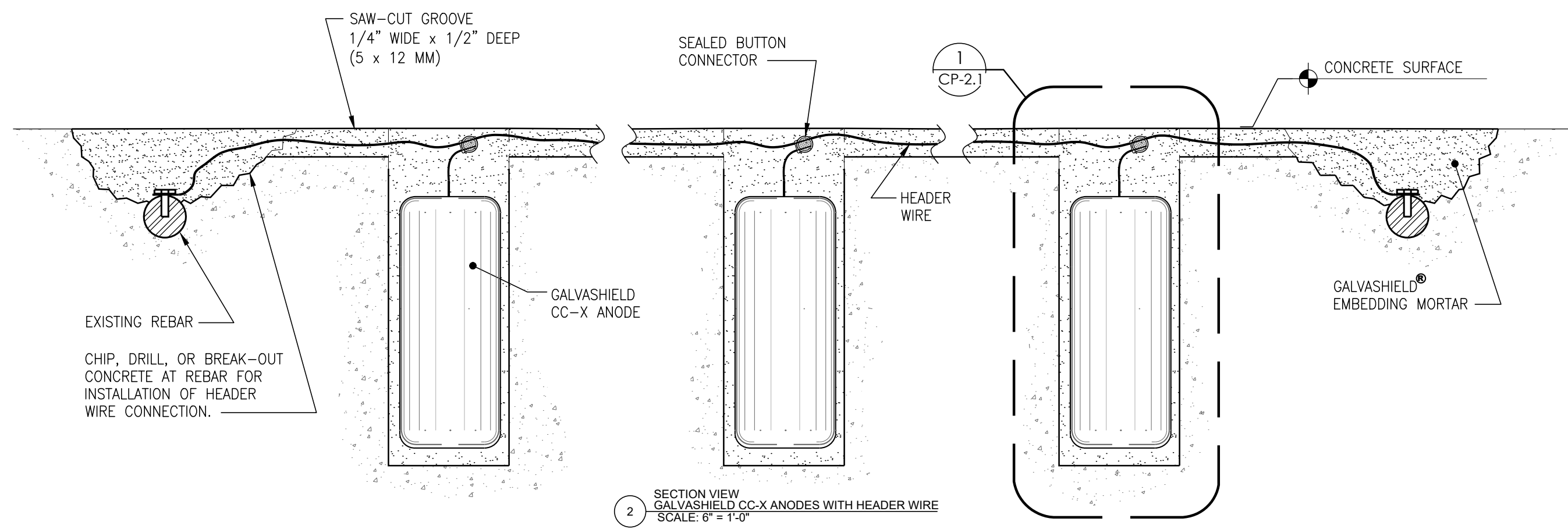
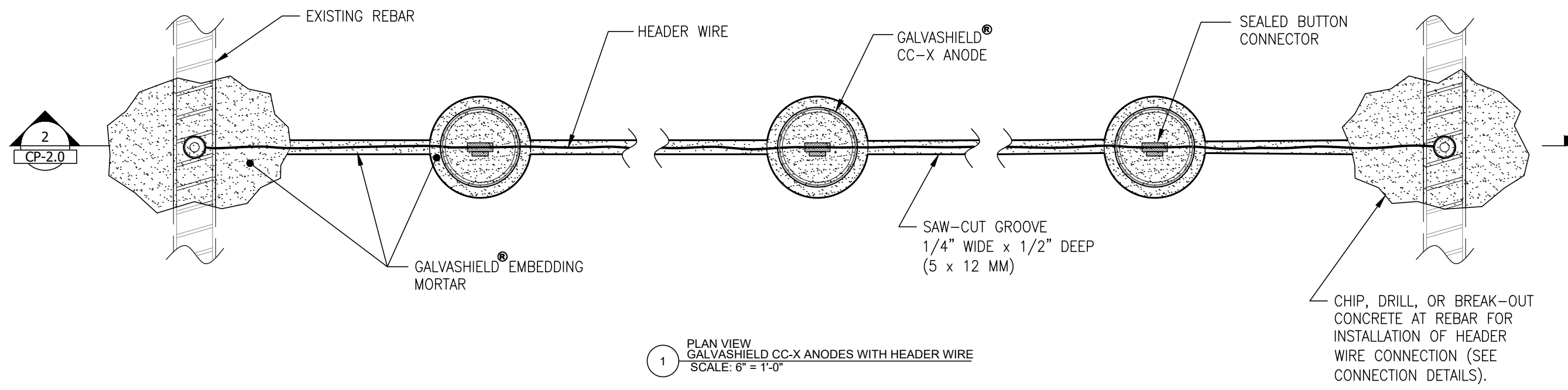
**GALVASHIELD® CC-X  
ANODE INSTALLATION  
WITH HEADER WIRE**

VECTOR CORROSION TECHNOLOGIES  
800 WINCHESTER ROAD,  
SUITE 175,  
LEXINGTON, KY 40505  
PH: 813-830-7566  
VECTOR-CORROSION.COM

PROJECT NO.

DRAWING NO.

CP-2.0



DRAWING REVISIONS

#	DATE	BY	DESCRIPTION
1	6/12/23	S.Y.	



**GALVASHIELD® ANODES  
CORROSION PROTECTION**

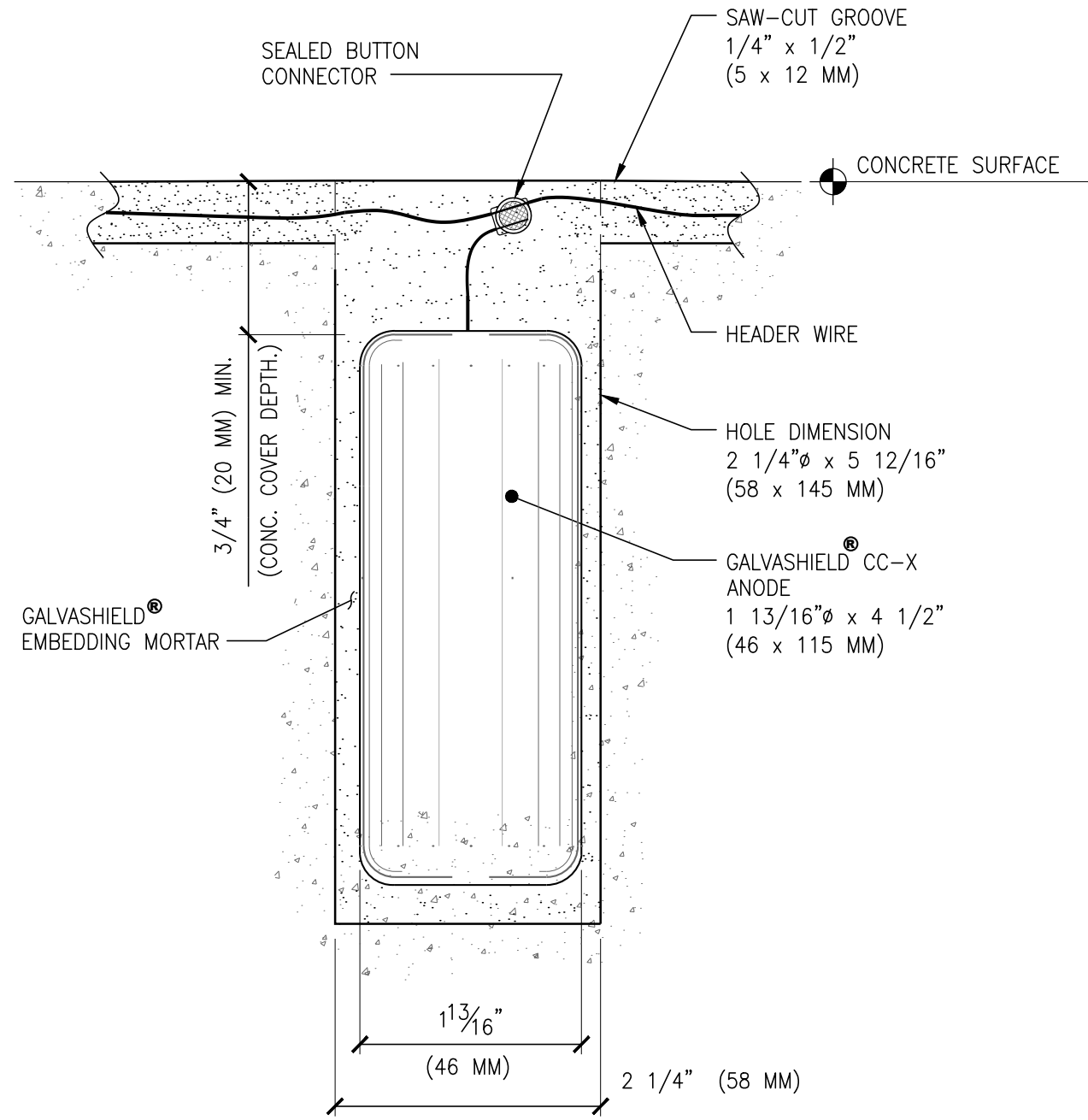
**GALVASHIELD CC-X  
ANODE INSTALLATION  
WITH HEADER WIRE**

VECTOR CORROSION TECHNOLOGIES  
800 WINCHESTER ROAD,  
SUITE 175,  
LEXINGTON, KY 40505  
PH: 813-830-7566  
VECTOR-CORROSION.COM

PROJECT NO.

DRAWING NO.

CP-2.1



1 SECTION VIEW  
GALVASHIELD CC-X ANODE - INSTALLATION WITH HEADER WIRE  
SCALE: 9" = 1'-0"

DRAWING REVISIONS

#	DATE	BY	DESCRIPTION
1	6/12/23	S.Y.	



**GALVASHIELD® ANODES  
CORROSION PROTECTION**

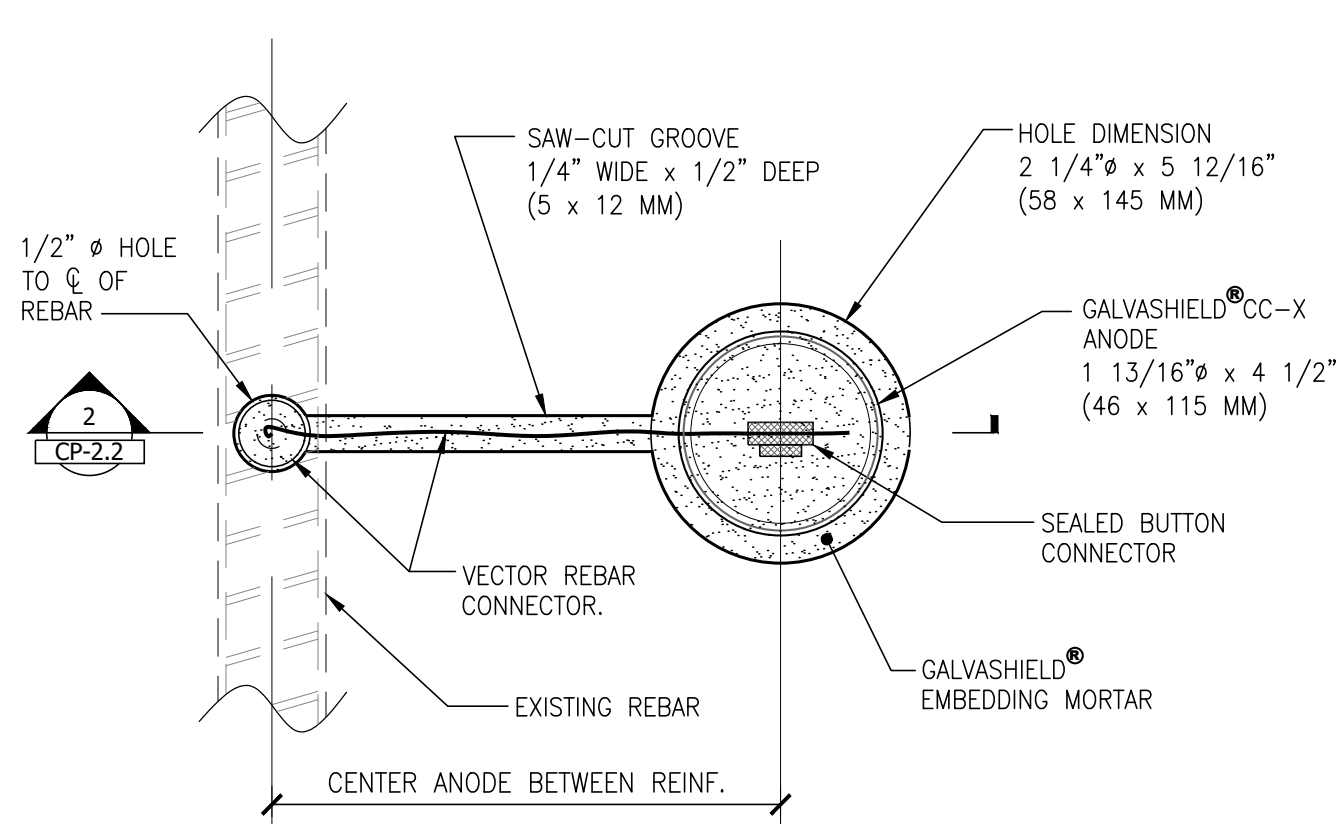
**GALVASHIELD® CC-X  
INSTALLATION WITH  
DIRECT CONNECTION**

VECTOR CORROSION TECHNOLOGIES  
800 WINCHESTER ROAD,  
SUITE 175,  
LEXINGTON, KY 40505  
PH: 813-830-7566  
VECTOR-CORROSION.COM

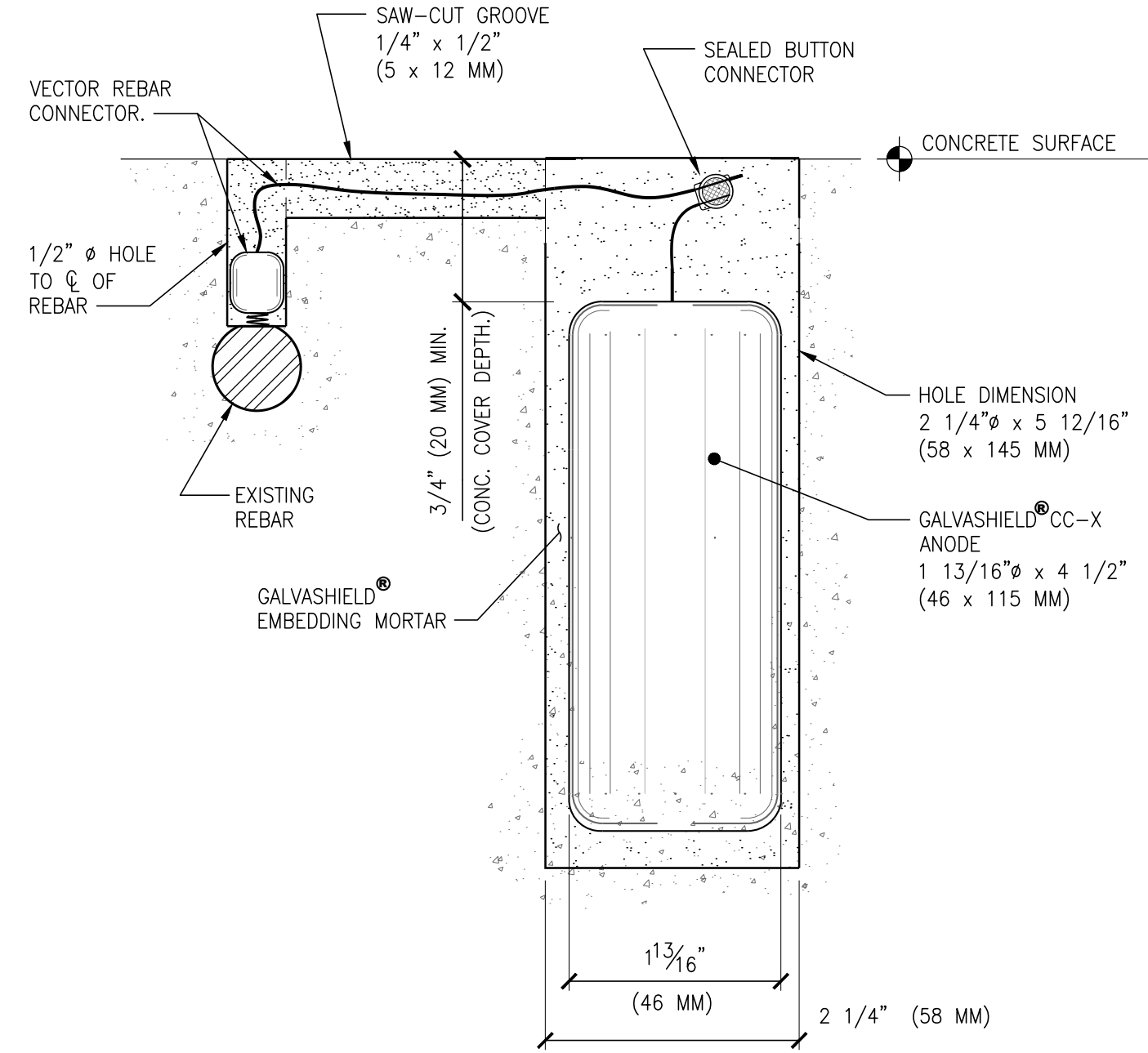
PROJECT NO.

DRAWING NO.

CP-2.2



1 PLAN VIEW  
GALVASHIELD CC-X ANODE - DIRECT CONNECTION  
SCALE: 9" = 1'-0"



2 SECTION VIEW  
GALVASHIELD CC-X ANODE - DIRECT CONNECTION  
SCALE: 9" = 1'-0"